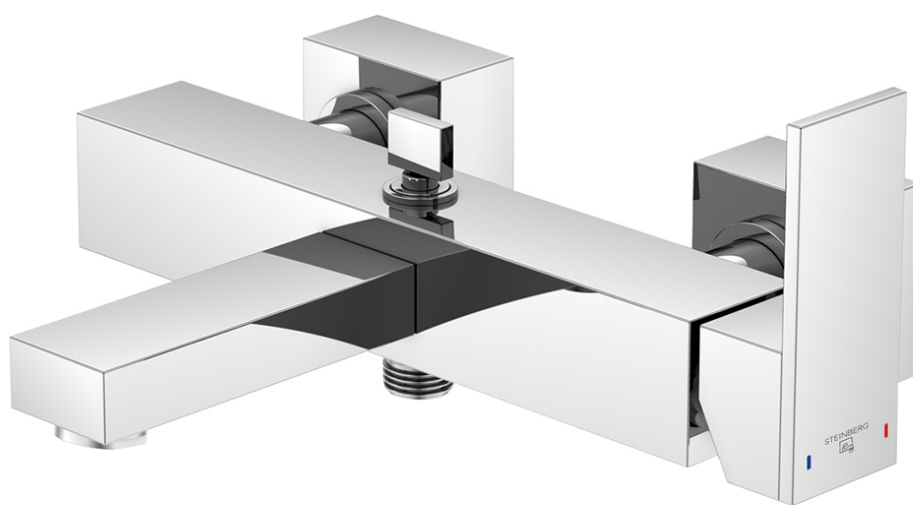


160 1110 Exposed single lever mixer 1/2" for bathtub

with diverter, projection 190 mm, with ceramic cartridge, intrinsically safe against backflow, chrome

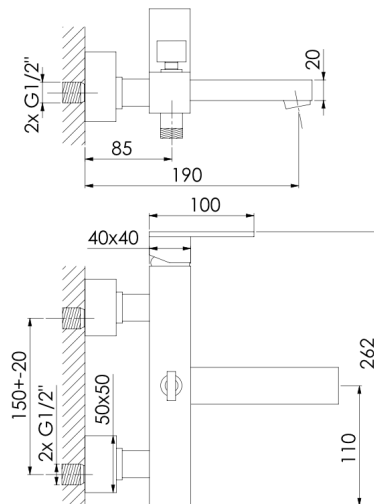
PRODUCT IMAGE



160 1110 Exposed single lever mixer 1/2" for bathtub

with diverter, projection 190 mm, with ceramic cartridge, intrinsically safe against backflow, chrome

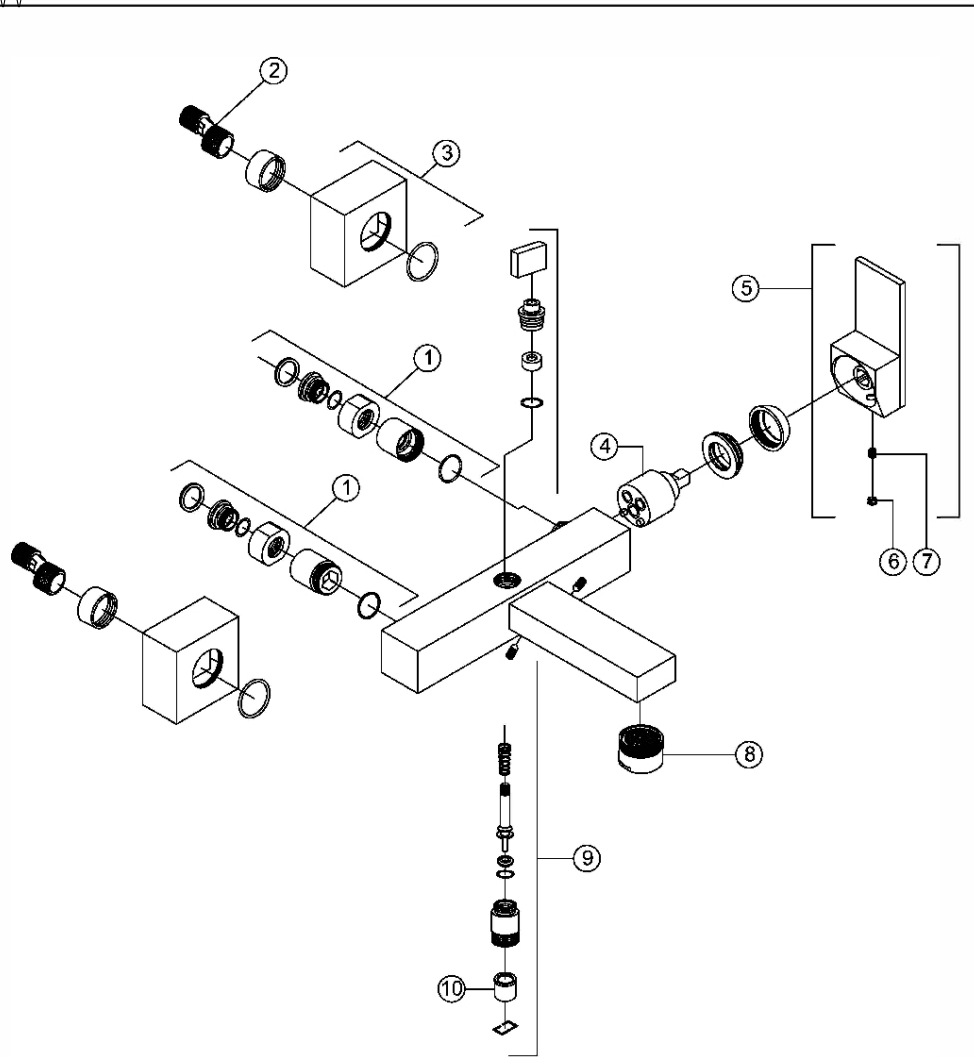
TECHNICAL DRAWING




160 1110 Exposed single lever mixer 1/2" for bathtub

with diverter, projection 190 mm, with ceramic cartridge, intrinsically safe against backflow, chrome

EXPLODED VIEW



1	099 1110	Überwurfmutterkomponenten, Durchmesser = 26 mm connection parts components, diameter = 26 mm	160 1110
2	099 9890	S-Anschluss ohne Rückflussverhinderer (Paar) S-connection without back flow preventer (pair)	
3	160 9877	Rosette (Paar) rosette (pair)	
4	099 9010	Kartusche Ø 35 mm cartridge Ø 35 mm	
5	099 9909	Griff handle	24.06.2013
6	099 4104	Chromkämpchen chrome cap	
7		Madenschraube chrome cap	Finest faucets and accessories STEINBERG  <small>Austri Dipl.-Ing. Zoltan Michalek</small>
8	099 9120	Luftsprudler mit verchromter Hülse aerator with chrome sleeve	
9	099 9089	Umsteller komplett diverter complete	
10	099 9161	Rückflussverhinderer Ø 15mm back flow preventer Ø 15mm	